



THE ETERNAL PLAN

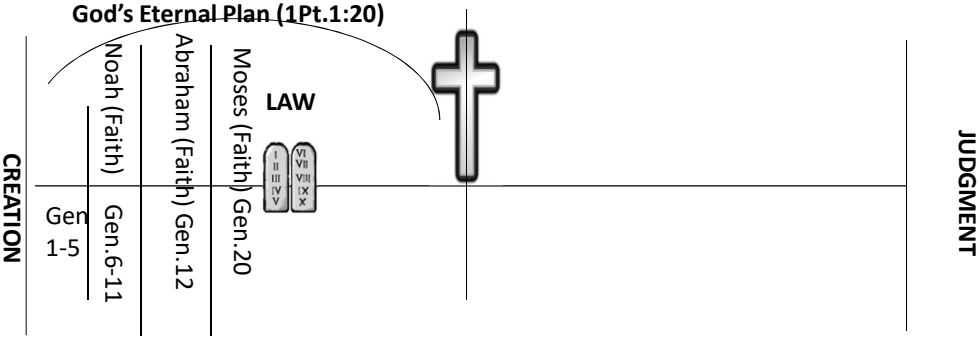
Lesson #6

January 9, 2019

We are looking at God's eternal plan. We know that God had an eternal plan based upon Peter's remarks in (1Pt.1:20 read it).

A diagram that we have been looking at that helps us better see God's eternal plan is the following (ns).

God's Eternal Plan



Who can explain this chart to me?

Also remember that the Bible is divided up into 15 periods (ns).

BIBLE PERIODS

- **The Antediluvian**
- **The Postdiluvian**
- **The Patriarchal**
- **Egyptian Bondage**
- **Wilderness Wanderings**
- **Conquest of Canaan**
- **The Judges**
- **The United Kingdoms**
- **The Divided Kingdoms**
- **The Kingdom of Judah**
- **The Babylonian Captivity**
- **The Return of the Exiles**
- **Between the Testaments**
- **The Life of Christ**
- **The Church of Christ**

(Read them).

Tonight we are going to be looking at the conquest of Canaan Period.

The highlights of this period are as follows (ns).

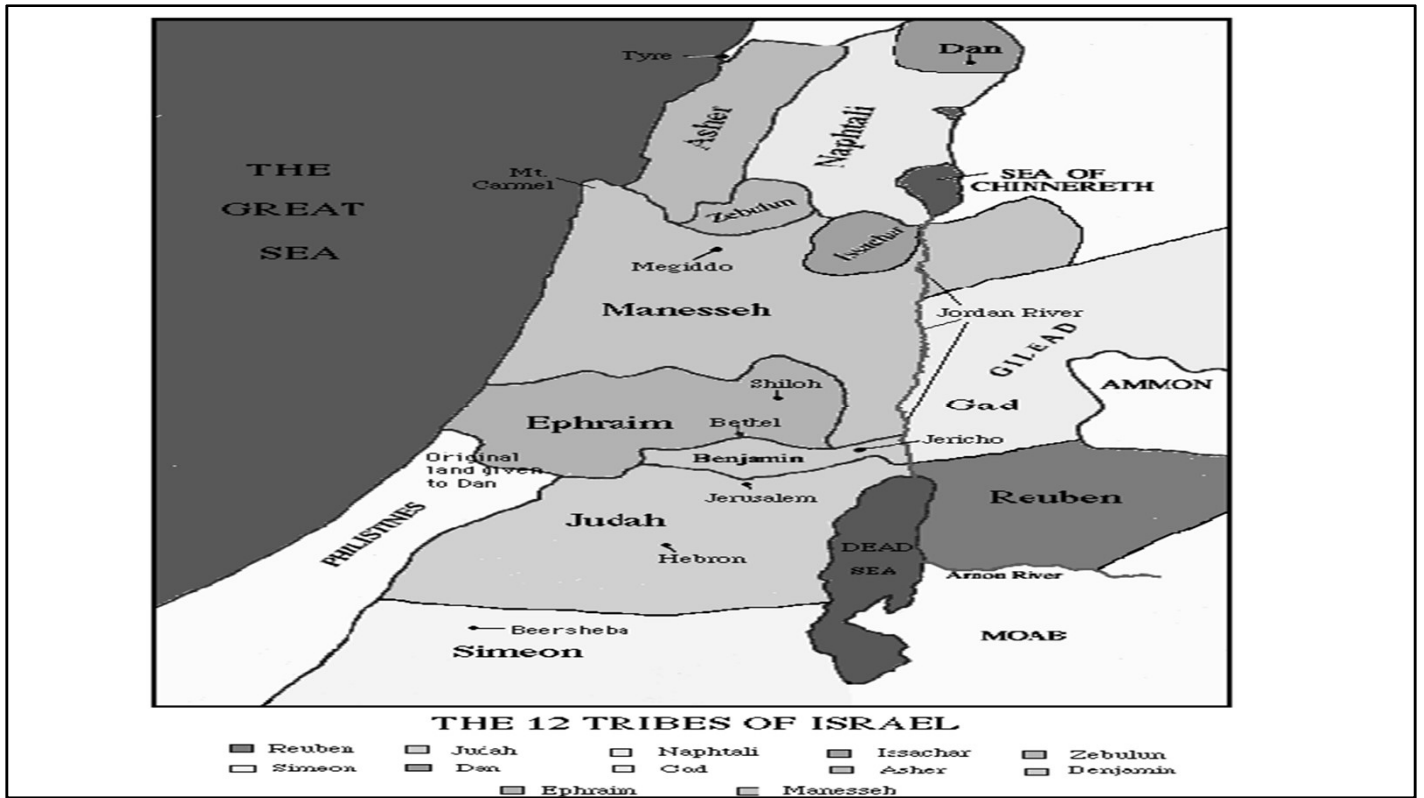
THE PERIOD OF THE CONQUEST OF CANAAN

- **From the crossing of the Jordon to the Judges**
- **Covers Joshua 1-24**
- **Main Points:**
 - **Crossing the Jordon River (Josh.1:1-4:24)**
 - **Encampment at Gilgal (Josh.2:1-12:23)**
 - **The Fall of Jericho (Josh.6:1-27)**
 - **The Capture of Ai (Josh.7:1-8:29)**
 - **The Altar at Ebal (Dt.27:2-14; Josh.8:30-35)**
 - **Two Combined Military Efforts (Josh.9:1-11:23)**
 - **Division of the Land (Num.34:13-35:28; Dt. 19:1-13; Josh.13:1-22:34)**

(Read slide and bullets).

Tell the story form page 32 of Johnson's notes.

Arrive at the point of the division of the land and map.



(View map)

Continue to discuss notes.

GOD'S PLAN TO REDEEM MAN

- **The scarlet cord Rahab let down served as a sign of deliverance and salvation for her and her family (Joshua 2).**
- **The blood of Christ serves as a sign of deliverance and salvation for mankind (Rom.5:17; 1Pt.1:18-19).**

(Read bullets).

Next class we will be looking at the book of Judges.